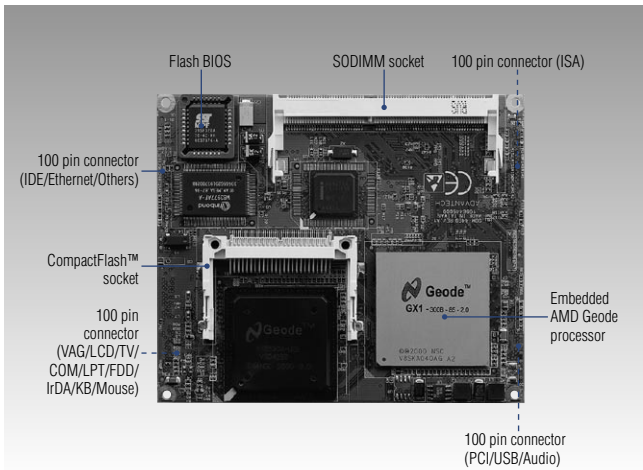


SOM-4450

AMD SOM-ETX Module w/CPU, VGA,
LCD/LVDS, Audio, LAN & TV-out



Specifications

- **CPU** Embedded AMD Geode processor GX1-300 MHz processor
- **System Memory** SDRAM SODIMM x 1, Max. 256 MB
- **System Chipset** AMD CX 5530
- **BIOS** AWARD 256 KB Flash BIOS
- **SSD** Supports CompactFlash® card
- **Watchdog Timer** 1-62 Sec, System reset
- **Expansion Interface** PCI/ISA

I/O

- **MIO** 2 x EIDE (Ultra DMA33), 1 x FDD/LPT, 1 x K/B, 1 x Mouse, 2 x RS-232
- **IrDA** 115 Kbps, IrDA 1.0 compliant
- **Audio** AMD CX 5530, AC'97 2.0 compliant
- **USB** 2 USB ports, USB 1.1 compliant

Ethernet

- **Chipset** RTL 8139C (optional Intel 82559ER)
- **Ethernet Interface** IEEE 802.3u 100Base-T Fast Ethernet
Built-in boot ROM (RTL 8139C)

Features

- Embedded AMD Geode processor
- 10/100 Mbps Ethernet
- 18-bit LCD/1 channel LVDS interface
- AC'97 V 2.0 Audio
- Less than 8 watts of power consumption

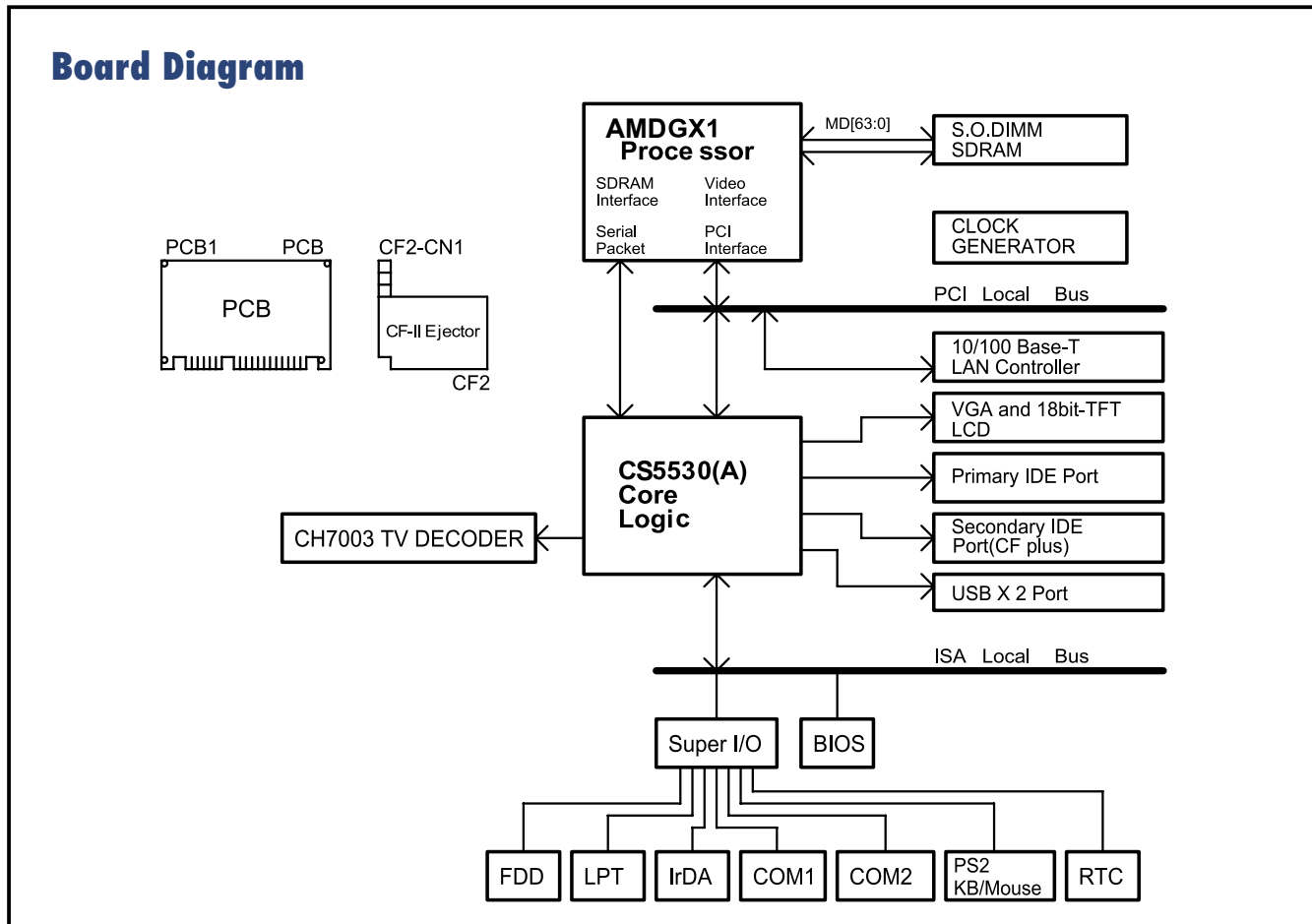
Display

- **Chipset** AMD CX 5530
- **Memory Size** 1-4 MB UMA share memory
- **Resolution** CRT Mode: 1024 x 768 @ 24 bpp (60 Hz)
LCD/Simultaneous Mode: 1024 x 768 @ 16 bpp (60 Hz)
- **LCD Interface** 18-bit TFT panels up to XGA resolution
- **LVDS** 18-bit ANSI EIA/TIA-644, over 10 meters transmission (SOM-4450FL-G0A1)
- **TV-Out** Supports both NTSC/PAL

Mechanical and Environmental

- **Dimensions (L x W)** 95 x 114 mm (3.7" x 5.4")
- **Power Supply Voltage** +5 V ± 5%
- **Power Requirements** Max. : 5 V @ 4 A
Typical : 5 V @ 1.5 A
- **Operating Temperature** 0 – 60° C (32–140° F), fanless operation
- **Operating Humidity** 0% – 90% relative humidity, noncondensing

Board Diagram



Ordering Information

- **SOM-4450F-G0A1** SOM-ETX Module w/GX1-300, VGA/LCD, Audio, LAN & TV-out
- **SOM-4450FL-G0A1** NS SOM-ETX Module w/GX1-300, VGA/LVDS, Audio, LAN & TV-out
- **SOM-DK4450F-C01** Windows® CE Development Kit for SOM-4450F
- **SOM-DB4400-00A2** SOM-ETX Development board Rev. A2

Optional

- **SOM-FANKIT-1000** Fan kit for SOM-ETX