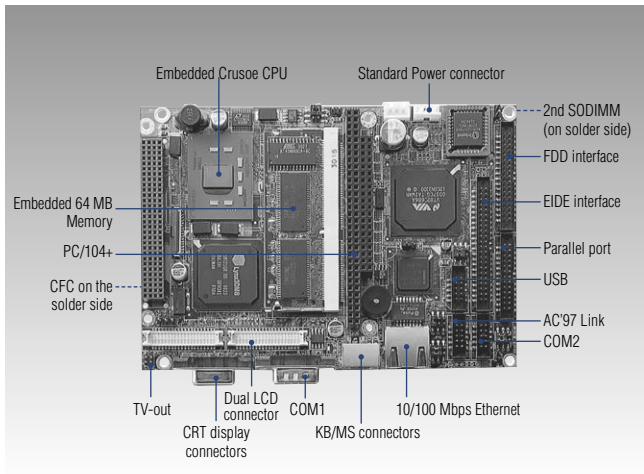


PCM-9370

Transmeta Crusoe SBC with CPU, 64 MB, VGA/LCD, and LAN



Features

- Compact and powerful
- Supports STN/DSTN/ 48-bit TFT LCD
- Supports dual TFT LCD display
- Optional Audio and TV-out Module
- Under 5 W low power consumption

Specifications



General

- **CPU** Onboard Transmeta Crusoe TM5600-500 Processor
- **2nd Cache Memory** On CPU
- **System Chipset** Transmeta Crusoe and VIA VT82C686B
- **BIOS** AWARD 256 kbit Flash BIOS
- **System Memory** 64 MB system memory on 1st SODIMM socket
Supports extra memory up to 256 MB with 2nd SODIMM
- **Power Management** APM 1.1
- **SSD** Support CompactFlash® card
- **WatchDog Timer** Software enable/disable 255 intervals at 2-510 seconds
- **Expansion Interface** PC/104+ (ISA & PCI)
- **Battery** Lithium 3 V/196 mAh

I/O

- **I/O Interface** 1 x EIDE (Ultra DMA33), 1 x FDD, 1 x K/B, 1 x Mouse, 1 x RS-232/422/485, 1 x RS-232, 1 x LPT
- **USB** 2 USB ports, USB 1.1 compliant
- **Audio** Optional, PCM-231AV
- **IrDA** N/A
- **GPIO** N/A

Ethernet

- **Chipset** Intel® 82559ER, Optional 82559
- **Speed** 10/100 Mbps (optional)
- **Interface** RJ45 connector
- **Standard** IEEE 802.3u 100BASE-T Fast Ethernet compatible
Built-in boot ROM in Flash BIOS

Display

- **Chipset** SMI Lynx 721
- **Memory Size** 8 MB on Lynx 721 chip
- **Resolution** CRT Mode: 1280 x 1024 @ 16 bpp (60 Hz), 1024 x 768 @ 16 bpp (85 Hz)
LCD/Simultaneous Mode: 1280 x 1024 @ 16 bpp (60 Hz), 1024 x 768 @ 16 bpp (60 Hz)
Dual Display mode: Supports 18-bit/24-bit Dual TFT LCD under Windows® 98, Windows® ME, Windows® 2000, D1 up to 1024 x 768 @ 16 bpp, D2 up to 1024 x 768 @ 24 bpp
- **LCD Interface** Supports for 9, 12, 18, 24, 36, 48-bit TFT and 16 or 24-bit DSTN panels up to SXGA resolution
- **TV-Out** Optional, supports both NTSC/PAL, S-video and composite video (PCM-231AV)
- **Dual Independent Display** CRT + LVDS

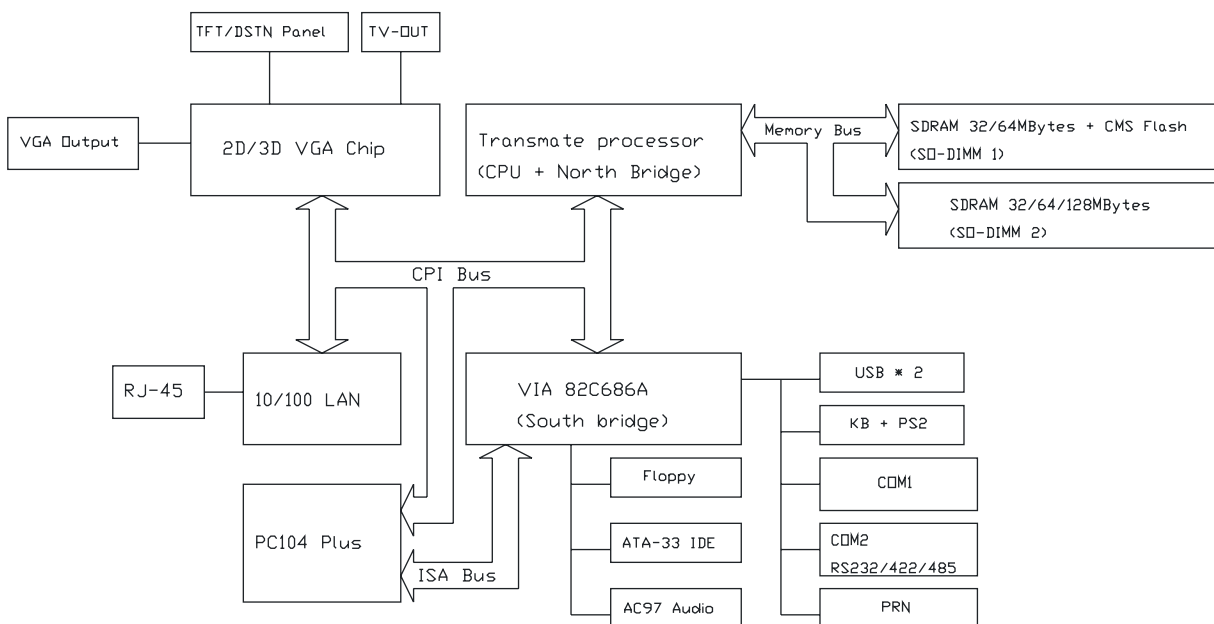
Mechanical and Environmental

- **Dimension (L x W)** 145 mm x 102 mm (5.7" x 4")
- **Weight** 0.85 kg (weight of total package)
- **Operating Temperature** 0 ~ 60° C (32 ~ 140° F)
- **Operating Humidity** 0% ~ 90% Relative Humidity, non condensing

Power

- **Power Supply Voltage** +5 V ± 5%,
- **Power Consumption** Max.: 3 A @ +5 V
Typical: 1.94 A @ +5 V
(with T-5400-500 CPU & 192 MB DRAM)
- **LongRun mode** 0.87 A @ +5 V

Board Diagram



Packing List

- 1 x PCM-9370 SBC
- 1 x Mini Jumper pack [conts.: 10 pcs] (p/n: 9689000002)
- 1 x Keyboard & mouse cable 6P-6P-6P (p/n: 1700060202)
- 1 x Parallel port cable (p/n: 1700260250)
- 1 x COM2 cable (p/n: 1700100250)
- 1 x FDD cable (p/n: 1701340603)
- 1 x HDD cable (p/n: 1701440351)
- 1 x USB cable (p/n: 1703100260)
- 1 x Startup Manual
- 1 x Utility CD

Ordering Information

Standard

- **PCM-9370F-L4A2** Transmeta Crusoe TM5600 SBC w/TM5600-500CPU, 64 MB memory, VGA/LCD, Ethernet

Optional Accessories

- **PCM-231AV-00A1** Audio/TV-out module w/line-in, line-out, mic, composite-video and S-Video
- **MBPC-200-9370F** MicroBox 3.5" Biscuit SBC chassis for PCM-9370F
- **PS-50A** 50 W AC power supply for MBPC-200