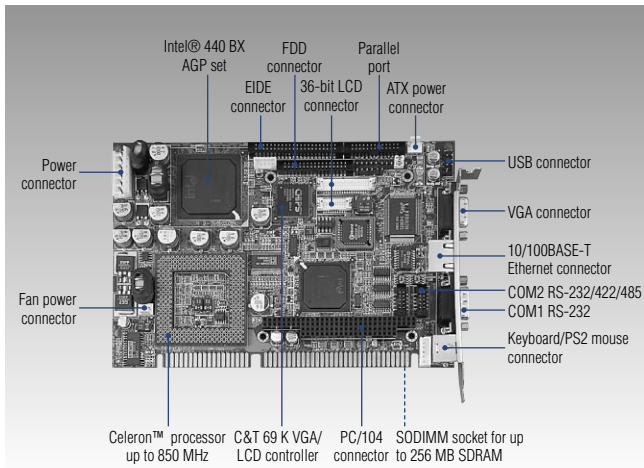


PCA-6770

ISA Socket 370 440BX Slot-PC SBC,
supporting VGA/LCD/Fast LAN/CFC



Features

- Supports Socket 370 Celeron®/Pentium® III processor up to 850 MHz
- Supports up to 100 MHz FSB
- USB interface compliant with USB rev. 1.1
- Supports Fast Infrared
- System overheat temperature control
- Supports wake-up on LAN, modem



Specifications

General

- **CPU** Socket 370 Celeron/Pentium III up to 850 MHz
- **2nd Cache Memory** 128 KB on Celeron processor, 256 KB on Pentium III
- **System Chipset** Intel 440BX
- **BIOS** AWARD 256 kbit Flash BIOS
- **System Memory** SDRAM SODIMM x 2, Max. 512 MB
- **Power Management** APM 1.2
- **SSD** Support CompactFlash® Card
- **Watch Dog Timer** 1 ~ 62 sec, System reset or IRQ11
- **Expansion Interface** 1x 16-bit ISA slot, 1x PC/104 connector
- **Battery** Lithium 3 V/196 mAh

I/O

- **I/O Interface** 1 x EIDE (Ultra DMA33), 1 x FDD, 1 x K/B, 1 x Mouse, 1 x RS-232/422/485, 1 x RS-232, 1 x LPT
- **USB** 2 USB port, USB 1.1 compliant
- **Audio** N/A
- **IrDA** 115 Kbps SIR, IrDA 1.0 compliant
- **GPIO** N/A
- **I/O Expansion** PC104, ISA

Ethernet

- **Chipset** RealTek™ 8139 chip
- **Speed** 10/100Base-T
- **Interface** RJ-45
- **Standard** IEEE 802.3

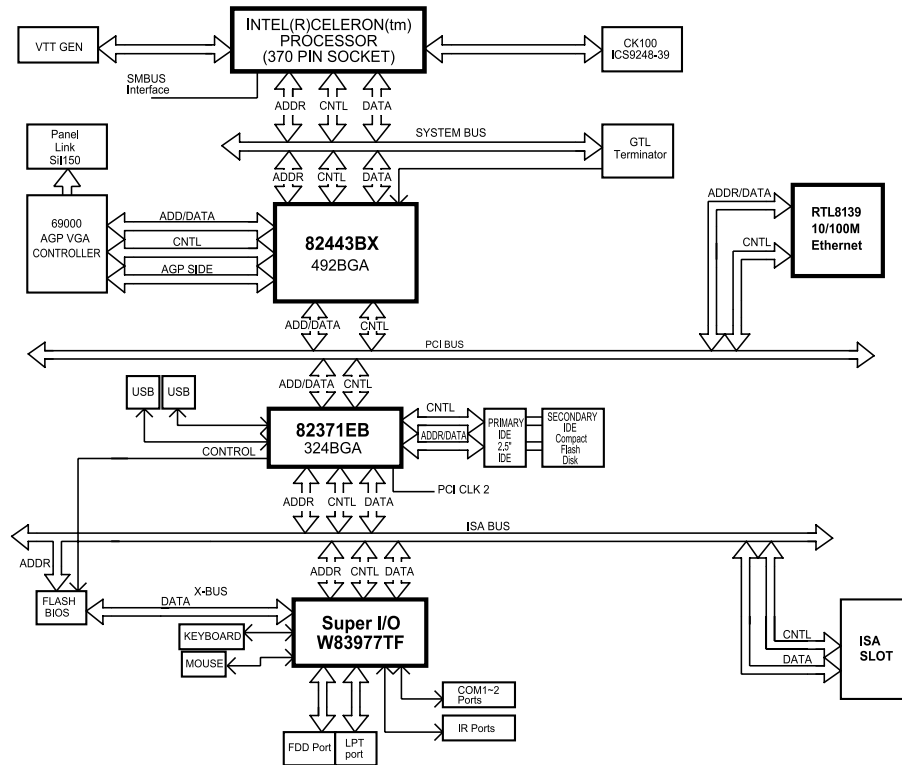
Display

- **Chipset** Asilient (C&T) 69000
- **Memory Size** 2 MB
- **Resolution** CRT mode: 1280 x 1024 @ 8 bpp, 1024 x 768 @ 16 bpp, 800 x 600 @ 24 bpp
- **LCD Interface** Up to 36-bit TTL for Mono/STN/TFT LCD
- **LVDS Interface** N/A
- **TV-Out** N/A
- **Dual Independent Display** N/A

Mechanical and Environmental

- **Dimension (L x W)** 185 x 122 mm (7.3" x 4.8")
- **Weight** 0.27 kg (weight of total package)
- **Operating Temperature** 0 ~ 60° C (32 ~ 140° F), operation
- **Operating Humidity** 0% ~ 90% relative humidity, non-condensing
- **Power Supply Voltage** +5 V ± 5%, +12 V ± 5% (for FAN)
- **Power Consumption** Max : 5 V @ 6.5 A, 12 V @ 300 mA
Typical : 5 V @ 4.9 A (w/Celeron 466 MHz + 128 MB RAM)

Board Diagram



Packing List

- 1 x PCA- 6770 SBC
- 1 x Y cable for PS/2 Keyboard, PS/2 Mouse (p/n:1700060202)
- 1 x E-IDE (HDD) Cable (500 mm) (p/n:1701440500)
- 1 x FDD Cable (600 mm) (p/n:1701340603)
- 1 x Parallel port cable (p/n:1700260250)
- 1 x Com port cable (p/n:1700100250)
- 1 x ATX/AT power Connector (p/n:1700000450)
- Mini Jumper (p/n:1653300100)
- 1 x CPU cooling fan (p/n:1759200310)
- 1 x Startup manual
- 1 x Utility CD

Ordering Information

Standard

- **PCA-6770F-00B2** ISA Socket 370 440BX Slot SBC, VGA/LCD/LAN/CFC

Optional Accessories

- **MBPC-641** 4-slot IPC chassis w/backplane & 65 W power supply
- **IPC-644-80** 4-slot IPC chassis w/backplane & 80 W power supply
- **IPC-6806S** 6-slot IPC chassis w/backplane & 100 W power supply
- **PCA-6114-B** 14-slot ISA passive backplane
- **PCA-6108-0B1** 8-slot ISA passive backplane
- **PCA-6106-B** 6 slot ISA passive backplane
- **PCA-6104-0C1** 4-slot ISA passive backplane
- **P-MPP3850BITLH2** Intel Pentium III 850 MHz (100 MHz FSB, FC-PGA)
- **1700100170** USB cable adapter (2.54 mm)
- **9689000042** IrDA adapter
- **CF-HDD-ADP** CompactFlash 50-pin to IDE 44-pin adapter
- **1759210300** Low profile fan/Heatsink module