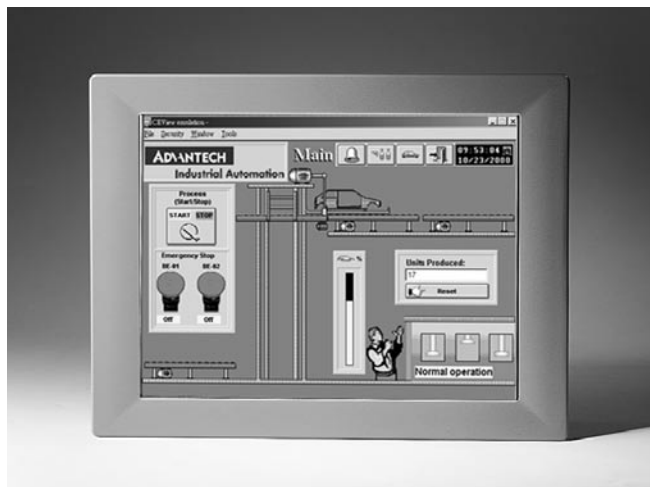


FPM-3120

Industrial 12.1" Flat Panel Monitor with Direct-VGA Port



Features

- 12.1" SVGA TFT LCD with resolution up to 800 x 600
- Multi-scan function supports SVGA, VGA, text mode
- Auto-recognition of input signal
- Panel or wallmount
- Supports VESA arm, desktop stand
- NEMA4/IP65 compliant Al-Mg front panel

Introduction

The FPM-3120G is a 12-inch color TFT LCD flat panel monitor specially designed for industrial or public applications with limited installation space. The backside cut-out dimensions are the same as a traditional 10" display. With a new magnesium panel, mounting is extremely easy and fits most environments perfectly. The FPM-3120G features Direct-VGA signal transmission to allow data viewing up to 5 meters away. Its on-screen-display function let users adjust the image easily. The whole chassis is in stainless steel and the front offers NEMA4/IP65 compliant protection.

Specifications

- **Display Interface** RGB (VGA)
- **Control** OSD (on screen display) control pads on the rear cover
- **Front Panel** Al-Mg, NEMA4/IP65 compliant
- **Mounting** Panel, wallmount, desktop or VESA arm
- **Dimensions (WxHxD)** 311 x 237 x 40 mm (12.24" x 9.33" x 1.57")
- **Net Weight** 3.7 kgs (8.2 lbs)
- **Power** External 48 W power adapter, AC 100 V ~ 230 V input, +12 V @ 4 A output
- **Operating Temperature** 0 ~ 50° C (32 ~ 122° F)
- **Storage Temperature** -20 ~ 60° C (-4 ~ 140° F)
- **Storage Humidity** 5 ~ 95 % non-condensing
- **Vibration (operating)** 5 ~ 17 Hz, double-amplitude displacement
17 ~ 500 Hz, 1.0 G peak to peak
- **CE, FCC, BSMI, CCC compliant**

Touchscreen (Optional)

- **Type** 8 wire, analog resistive or capacitive sensor
- **Resolution** Continuous
- **Light Transmission** 75% (resistive)
88% (capacitive)
- **Controller** RS-232 interface
- **Power Consumption** +5 V @ 200 mA
- **OS Support** Windows® 2000/XP
- **Lifespan** 1 million touches at a single point (resistive)
220 million touches (capacitive)

LCD Display

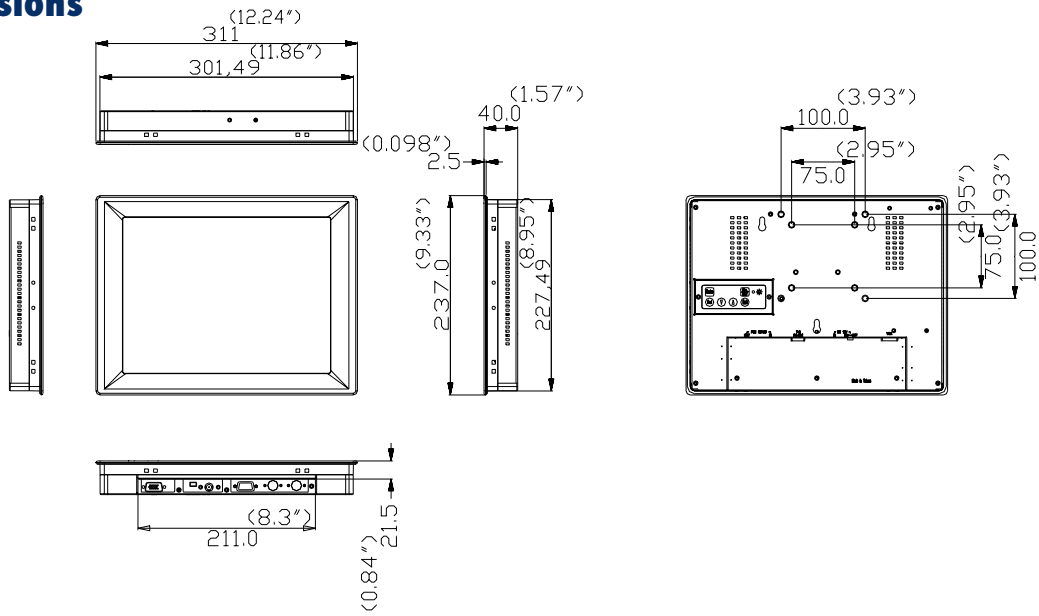
- **Display Type** SVGA TFT LCD
- **Display Size** 12.1"
- **Max. Colors** 262 K
- **Max. Resolution** 800 x 600
- **View Angle** 90° (H), 40° (V)
- **Luminance** 100 cd/m² (TV) or 300 cd/m² (TH)
- **Storage Temperature** -20 ~ 60° C (-4 ~ 140° F)
- **Operating Temperature** 0 ~ 50° C (32 ~ 122° F)
- **Backlight Lifetime** 10000 (TV) or 50000 (TH) hrs
- **Contrast Ratio** 150 :1

Ordering Information

- **FPM-3120TV** 12.1" SVGA 100 nits TFT LCD with VGA interface, AC 100 ~ 230 V 48 W power adapter
- **FPM-3120TV-T** FPM-3120TV with resistive touchscreen (RS-232 interface)
- **FPM-3120TH** 12.1" SVGA 300 nits TFT LCD with VGA interface, AC 100 ~ 230 V 48 W power adapter
- **FPM-3120TH-T** FPM-3120TH with resistive touchscreen (RS-232 interface)
- **FPM-3120TH-TC** FPM-3120TH with capacitive touchscreen (RS-232 interface)

Dimensions

Unit: mm



Cut-out dimension: 304 x 230 mm (11.97" x 9.06")

Rear View

