

# EH-7105G

## Residential Terminal



### Features

- Microsoft® Windows® CE .NET 4.2
- CCD camera
- Handset
- 10.4" TFT LCD with Touchscreen
- 4 LED indicators
- Built-in microphone
- Built-in speaker
- 4 programmable function keys
- 1 emergency button

### Introduction

The EH-7105G residential terminal is Advantech's standard product that comes with a Microsoft Windows CE .NET embedded software kernel installed. The compact mechanical structure offers a smart, modern design that matches the entire Advantech residential terminal product family.

The EH-7105G is equipped with a Via C3 400 CPU, touchscreen, CCD camera & handset. The unit plays a key role as part of a home/building security & automation solution. The unit connects service/emergency calls and sensor signals of an apartment unit, through a LAN connection, to a central administration center. The handset of the eHome Terminal can act as a door phone or inter-call phone through RS-232/RS-485/RS-422 and analog audio signals. Moreover, LonWorks is also compatible with this Advantech eHome platform, so it can work seamlessly with other LonWorks enabled devices.

### Specifications

- **CPU** VIA C3 400 MHz (fanless) up to 667 MHz
- **Memory** Working 128 MB SDRAM
- **Storage** External Type II CompactFlash up to 256 MB or External IDE 2.5" HDD (device bay)

#### Display

- **Panel Type** TFT color LCD (LVDS)
- **Screen Size** 10.4"
- **Resolution** 800 (H) x 600 (W)
- **Luminance** 150 nits w/i TS (resistive) (250 nits optional)

#### User Interface

- **Stylus Pen** No
- **Hotkeys** 4 Keys w/LEDs & 1 Emergency Button w/ LED
- **LEDs** 4 Status LEDs
- **CCD** 300K pixels (PCI)

#### System Integrator Interface

- **IDE** 1
- **Wi Fi** 1 by Mini PCI
- **PS-2 Port** No
- **Video Port** Yes

#### Multimedia Functions

- **Audio** Built-in MIC/speaker
- **Video** Supports MPEG 4 (Optional)

#### Door Phone Interface

- **Handset** Yes
- **Audio Signal Interface** Yes
- **Door Unlock Button** Yes

#### Embedded OS

- **CE 3.0** No
- **CE .NET 4.2** Yes
- **XP Embedded** Yes
- **Power Consumption** < 48 W
- **Dimensions (W x H x D)** 315 x 240 x 60 mm
- **Weight** 2.5 kg
- **Operating Temperature** 0 ~ 40° C
- **Certificates** UL, FCC/CE Class B, CCC

### Applications

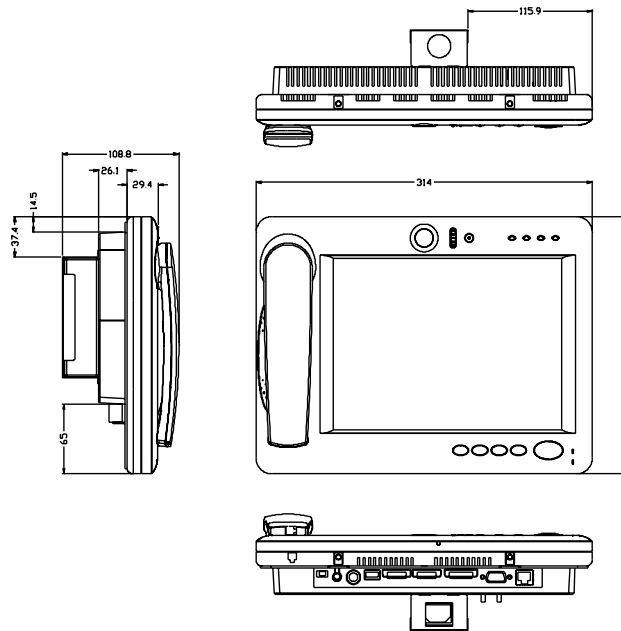
- Home Security
- Nursing Service/Video Health Care
- Emergency Call/Intercom
- Door Phone/intercom

### For System Integrators

- Enhanced Intercom with audio noise cancellation (cancels echo/background noise)
- Embedded Microsoft Windows CE .NET
- Function key ready, programmable for SIs
- Hands-free functionality for a variety of applications
- Besides RS-protocol, LonWorks is also available

## Dimensions

Unit: mm



## Ordering Information

- **EH-7105G** 10.4" Home terminal with 256M CF card, CCD camera, handset and supports Win CE. Net 4.2 English version
- **EH-7105G-TC** EH-7105G with Traditional Chinese
- **EH-7105G-SC** EH-7105G with Simple Chinese
- **EH-7105G-JP** EH-7105G with Japanese Version
- **EH-7105G-XP** EH-7105G with XP embedded
- **EH-7105G-LN** EH-7105G with LonWorks
- **EH-7105G-1G** EH-7105G with Via C3 1G CPU

## Packing List

- Mounting Rack
- CD Utility
- AC/DC Power Adapter
- User manual

## IO Indicator Drawing

